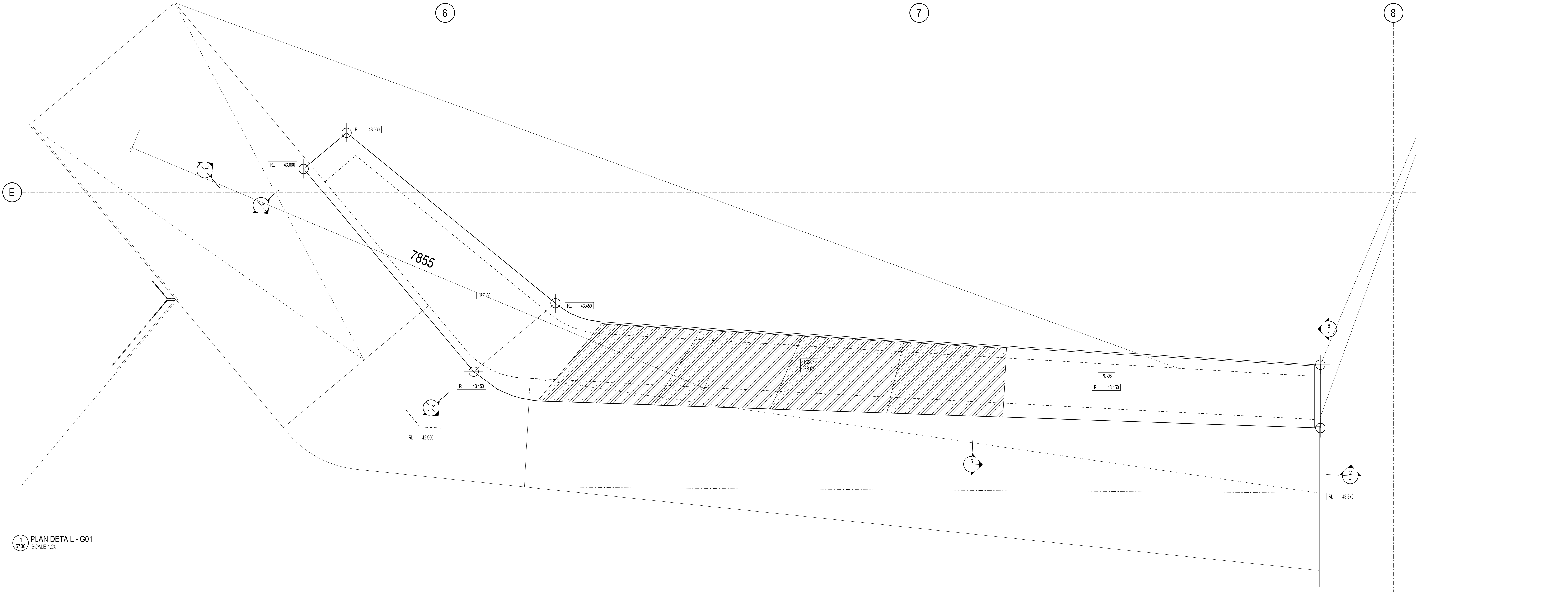


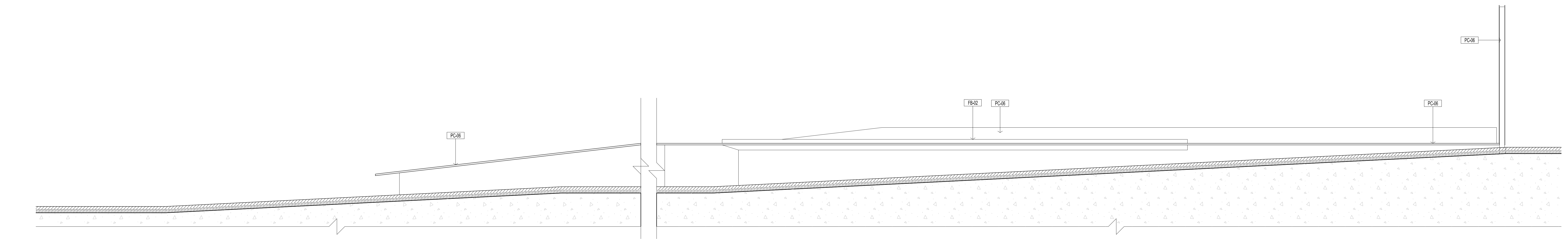
THIS DRAWING IS AN UNCONTROLLED COPY UNLESS STAMPED OTHERWISE

CONTRACTORS SHALL VERIFY JOB DIMENSIONS BEFORE ANY JOB COMMENCES. ALL SHOP DRAWINGS SHALL BE SUBMITTED TO THE SUPERINTENDENT AND MANUFACTURER SHALL NOT COMMENCE PRIOR TO THE RETURN OF DIMENSIONS. SHOP DRAWINGS ISSUED BY THE CONSULTANT FIGURED DIMENSIONS SHALL TAKE PRECEDENCE OVER SCALED. THIS DRAWING SHALL BE READ IN CONJUNCTION WITH ALL RELEVANT CONTRACT SPECIFICATIONS AND DRAWINGS COPYRIGHT OF THIS DRAWING IS VESTED IN WARDLE.

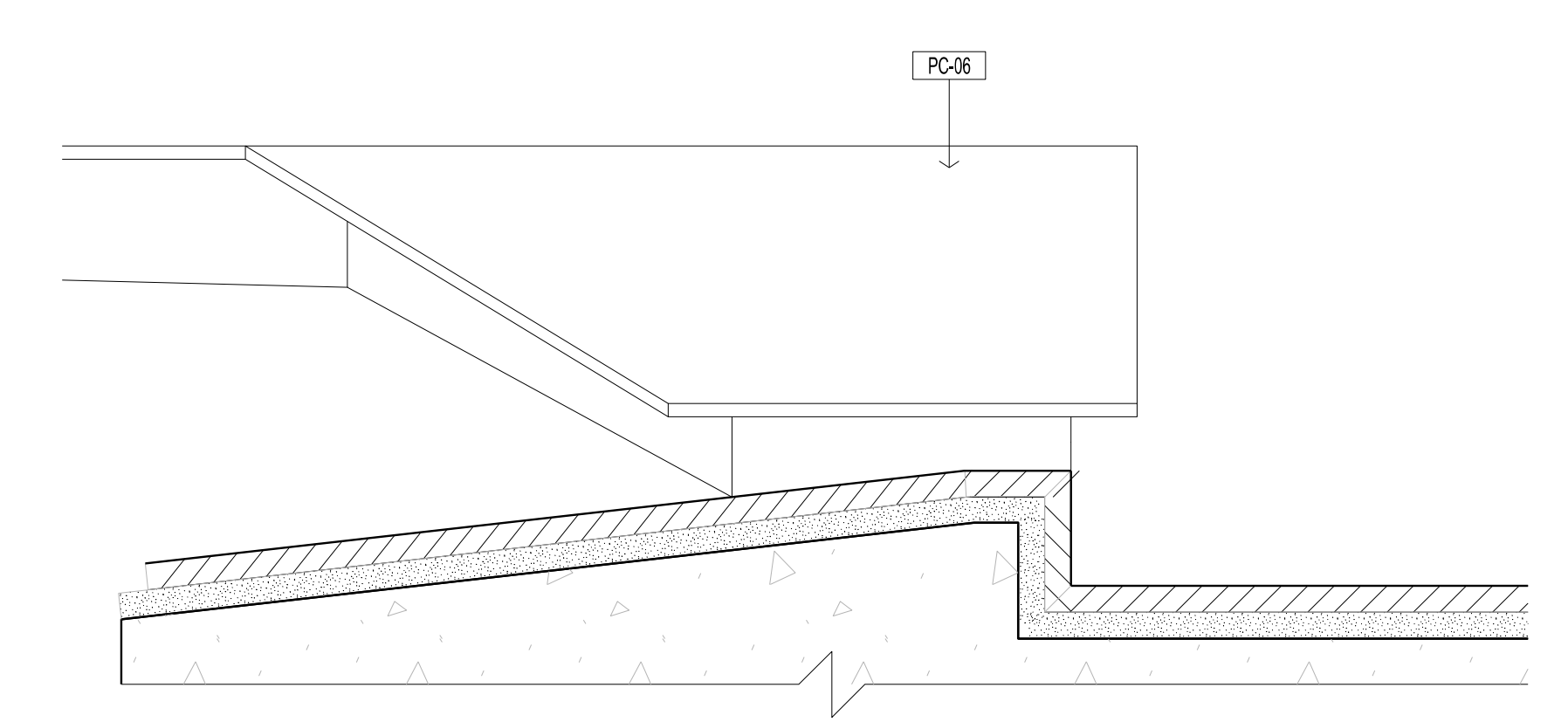
General Notes



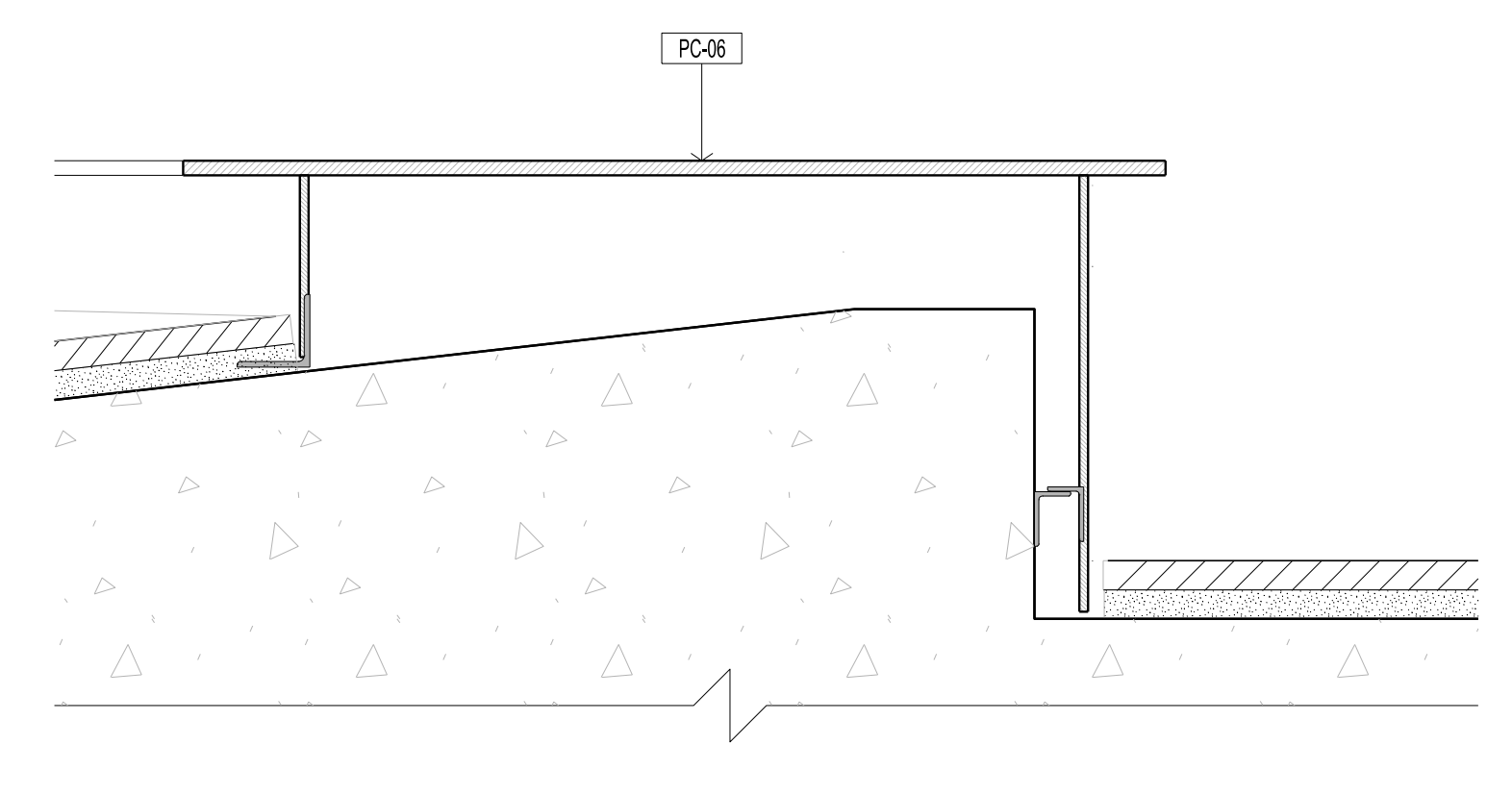
1 PLAN DETAIL - G01
SCALE 1:20



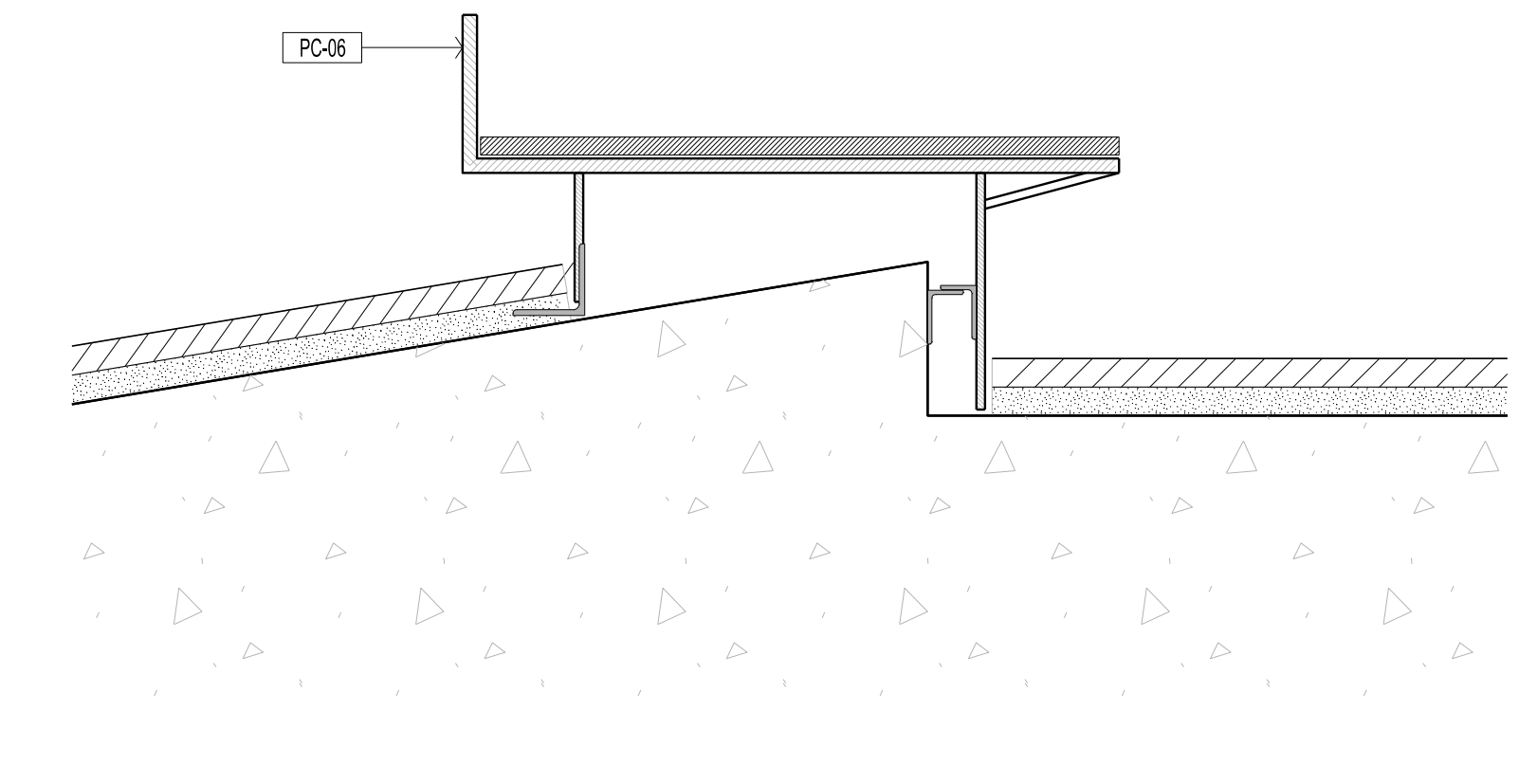
2 UNFOLDED ELEVATION - G01
SCALE 1:20



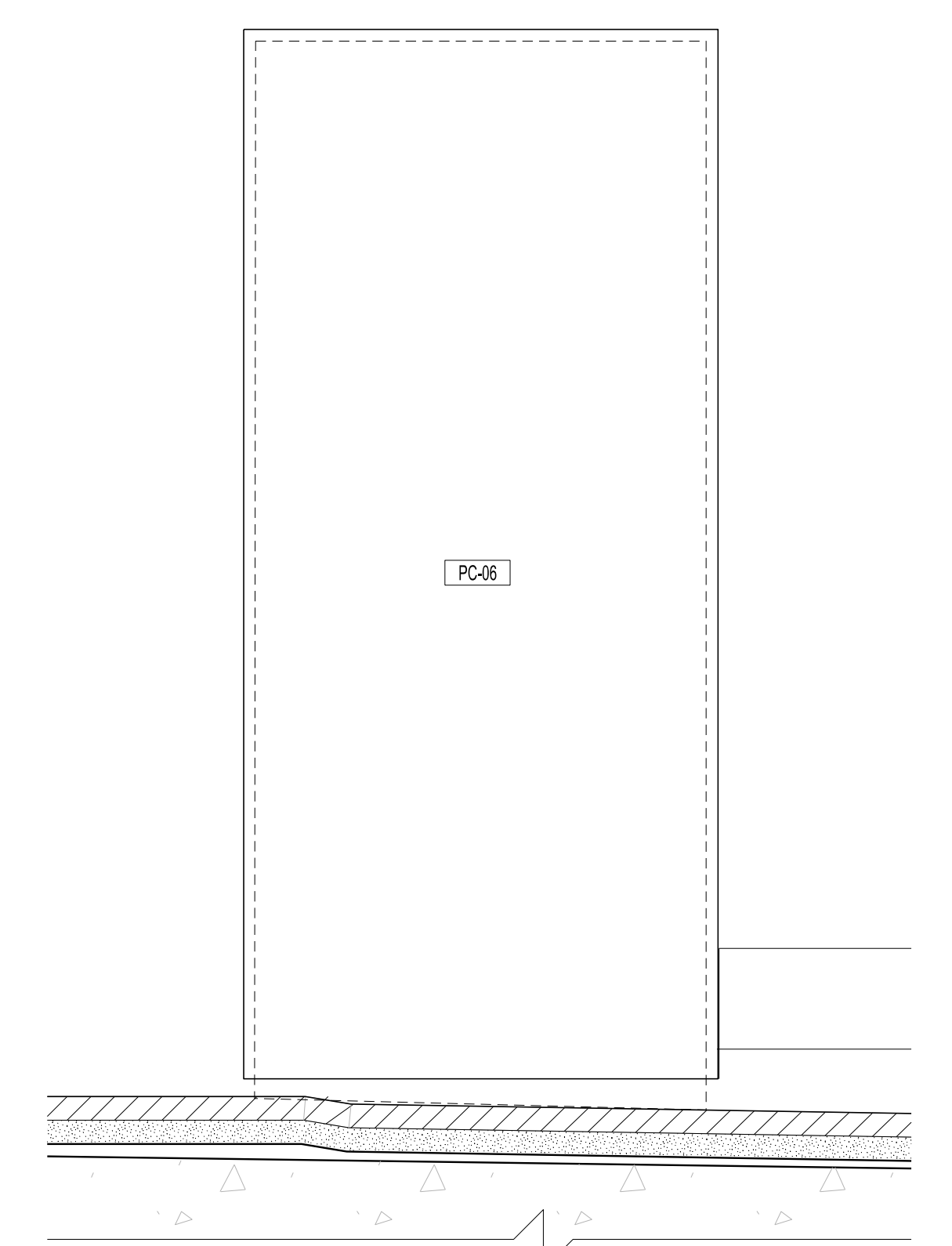
3 SECTION DETAIL - G01
SCALE 1:10



4 SECTION DETAIL - G01
SCALE 1:10



5 SECTION DETAIL - G01
SCALE 1:10



6 SIGNAGE ELEVATION
SCALE 1:10

Rev	Issue	Revision Description	And	Date
A	SG	ISSUED FOR CONSTRUCTION	-	10.01.14
01	SG	100% CD - TENDER ISSUE	-	07.09.12



NADAAA
 NADAAA
 1020 Washington Street No.2 Boston Massachusetts 02115 USA
 Telephone +1 617 442 8232 Facsimile +1 688 442 1417 Email nado@nadaaa.com

John Wardle Architects
 25 Rokeby Street, Collingwood, Victoria 3066 Australia
 Tel: +61 3 8662 0400 www.johnwardlearchitects.com
 © 2012 John Wardle Architects ABN 83 006 814 268

Client **University of Melbourne Parkville Campus**

Project **Faculty of Architecture Building and Planning**

Title **INTERNAL WALL SECTION DETAILS G01 - CREEK BED**

Project No.	0913	Scale	1:10 @ A0 1:20 @ A2
Drawing No.	AR 7772	Revision	A
Date	Jul 2012	Dwn	
		Co-Ord	
		Chk	

FILENAME - SFILES

FOR CONSTRUCTION